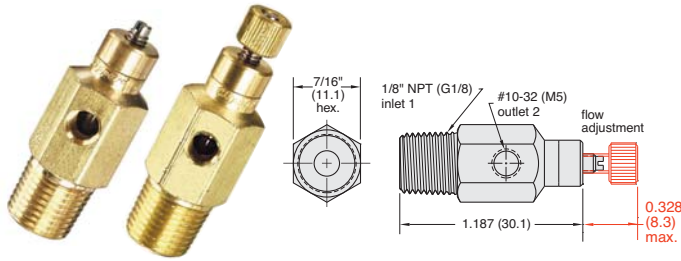




# NEEDLE VALVES & MUFFLERS

## 3° Needle Valves, 1/8" NPT

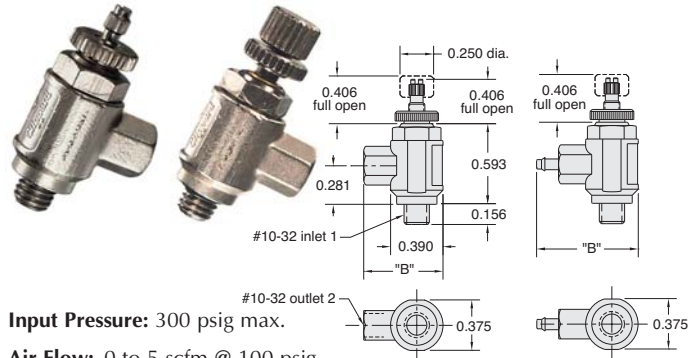


**Input Pressure:** 2,000 psig/40 bar max.

**Air Flow:** 2.5 scfm @ 50 psig; 5 scfm @ 100 psig; 120 l/min @ 6 bar

Part No.	Description
<u>MNV-3P</u>	Needle Valve, #10-32, Screwdriver Slot
<u>MNV-3P-M5</u>	Needle Valve, M5, Screwdriver Slot
<u>MNV-3KP</u>	Needle Valve, #10-32, Knurled Knob
<u>MNV-3KP-M5</u>	Needle Valve, M5, Knurled Knob

## 3° Needle Valves, #10-32

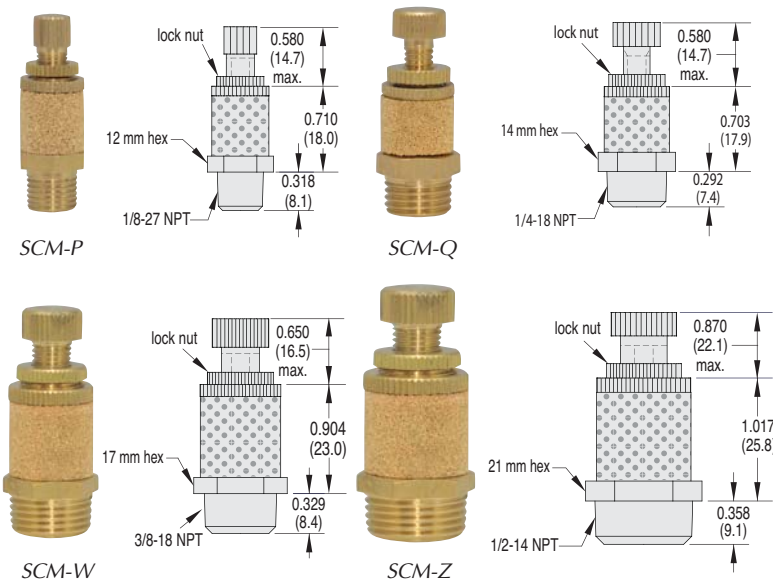


**Input Pressure:** 300 psig max.

**Air Flow:** 0 to 5 scfm @ 100 psig

Part No.	Female Part	"B"	Adjustment
<u>MNV-4</u>	#10-32 . . . .	0.593	<b>Knurled locking nut standard; screwdriver slot; knurled locking nut standard; clockwise adjustment of either provides less flow</b>
<u>MNV-41</u>	1/16 Barb . . .	0.750	
<u>MNV-42</u>	1/8 Barb . . . .	0.906	
<u>MNV-4K</u>	#10-32 . . . .	0.593	<b>Knurled knob; clockwise adjustment of either provides less flow</b>
<u>MNV-4K1</u>	1/16 Barb . . .	0.750	
<u>MNV-4K2</u>	1/8 Barb . . . .	0.906	

## NEW! Speed Control Mufflers



Knurled knob length based on minimum thread engagement.

**Material:** Solid brass body; sintered bronze muffler (40 micron)

Part No.	Description
<u>SCM-P</u>	Muffler, 1/8-27 NPT
<u>SCM-Q</u>	Muffler, 1/4-18 NPT
<u>SCM-W</u>	Muffler, 3/8-18 NPT
<u>SCM-Z</u>	Muffler, 1/2-14 NPT



Quality remains a primary feature of every product Clippard produces. This is achieved through the excellence in manufacturing practices and craftsmanship that has continued throughout the years. The company motto—Quality People, Quality Products—emphasizes the important role every employee plays in maintaining the company's reputation.